

# Linglong Series Integral Chest Freezer (Plug-in)



High efficiency and energy-saving



Free combination



Decent appearance

## BENEFITS AT A GLANCE

- Large size hollow glass front display window, fully showcasing product details
- Up-down sliding doors on top for customer shopping easier
- Overall grand and stable effect, attracting customer attention, enhancing shopping experience
- Horizontal plug-in design, flexible movement, free combination, adjusting layout according to mall needs
- Operating temperature -18--25°C, meeting the temperature requirements for ice cream and other products
- Defrosting at regular intervals (timed) for energy-saving and environmental protection
- Refrigerant options of R404A and R290, with the variable frequency series recommending the use of R290 refrigerant for high efficiency and environmental friendliness

## STANDARD CONFIGURATION

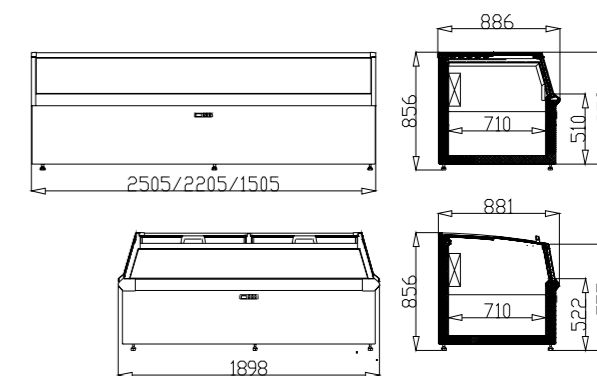
- Gray exterior plastic parts
- White interior sheet metal parts
- Adjustable bottom foot bolts
- White cabinet interior partition grid

## OPTIONAL CONFIGURATION

- Black exterior plastic parts
- Black interior sheet metal parts
- Swivel casters
- Black cabinet interior partition grid
- Non-cold shelves

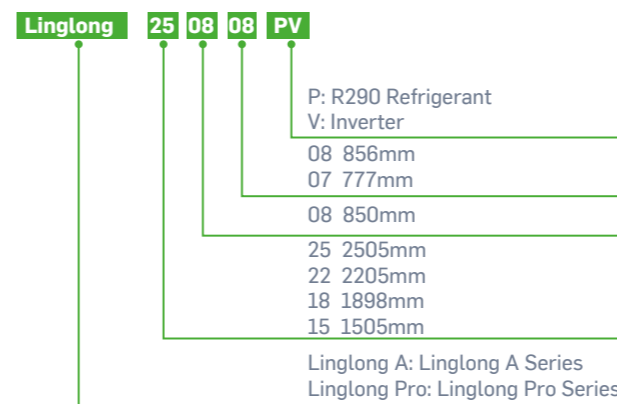


## DIMENSION DRAWING



Linglong Series Integral Chest Freezer (Plug-in)

## NOMENCLATURE



Standard Model	LT Integral Chest Freezer								
	Linglong A Series					Linglong Pro Series			
	Linglong 150808A	Linglong 180808A	Linglong 220808A	Linglong 250808A	Linglong 180807A	Linglong 150808PV	Linglong 220808PV	Linglong 250808PV	Linglong 180807PV
Dimensions (Width)	1505	1898	2205	2505	1898	1505	2205	2505	1898
Dimensions (Depth)	886	886	886	886	881	886	886	886	881
Dimensions (Height)	856					856			
Operation Temperature (°C)	-18--25					-18--25			
Temperature Grade	3 L1					3 L1			
Rated Voltage (V)	220V					220V			
Rated Frequency (Hz)	50Hz					50Hz			
Net Weight (kg)	120	130	150	180	130	120	150	180	13
Display Area (m <sup>2</sup> )	0.95	1.12	1.40	1.55	1.12	0.95	1.40	1.55	1.12
Effective Volume (m <sup>3</sup> )	0.390	0.450	0.620	0.720	0.450	0.390	0.620	0.720	0.450
Energy Efficiency Level (EEL)	Grade 1					Grade 1			