

# Velando AF (AGDF) Multidecks |



Standard Model	Velando AF (AGDF) Multidecks				
	Velando AF 2D 156	Velando AF 3D 235	Velando AF 4D 313	Velando AF 5D 390	Velando AF 3D 188
Dimensions (Width)	1562	2343	3124	3900	1984
Dimensions (Depth)	945				
Dimensions (Height)	2040				
Operation Temperature (°C)	≤-18				
Temperature Grade	3 L1				
Rated Voltage (V)	220V				
Rated Frequency (Hz)	50Hz				
Net Weight (kg)	380	520	700	840	510
Display Area (m <sup>2</sup> )	1.44	2.16	2.88	3.60	2.91
Effective Volume (m <sup>3</sup> )	1.32	2.00	2.62	3.32	1.61
Energy Efficiency Level (EEL)	Grade 2				Grade 1



## PRODUCT FEATURES

- Standard electric heating door frame ensures quick defogging, ensuring clear visibility of products
- Available in two widths, with multiple combinations of 2-5 doors to meet various customer needs
- Optimised cooling system for more stable operation
- High evaporation temperature of  $-28.5^{\circ}\text{C}$  ensures energy efficiency
- Equipped with High-efficiency Door Frame (HEF) as standard, achieving full Grade 1 energy efficiency for greater energy savings

## CUSTOMER VALUE

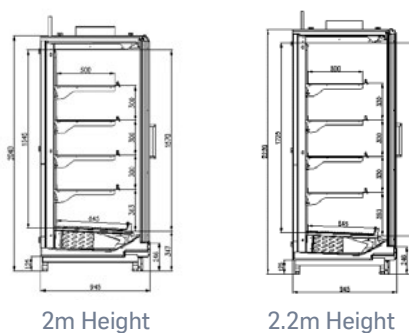
- Designed with a relative evaporation temperature of  $-35^{\circ}\text{C}$ , resulting in approximately 17% energy savings



## NOMENCLATURE

<b>Velando AF</b>	<b>2D</b>	<b>156</b>	<b>L</b>
/: 2040mm L: 2200mm			
390 3900mm			
313 3124mm			
235 2343mm			
156 1562mm			
2D: 2 Doors			
3D: 3 doors			
4D: 4 doors			
5D: 5 doors			
Velando AF: Glass Door Multidecks			

## DIMENSION DRAWING



2m Height

2.2m Height

Velando AF (AGDF) Multidecks